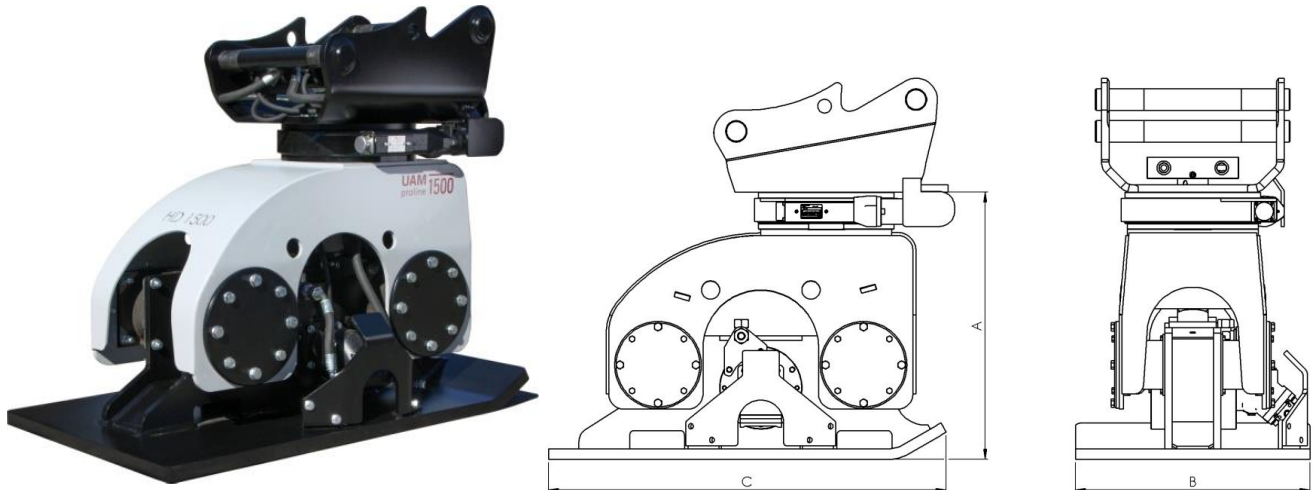


## HD 1500

With its 1.5 ton service weight, the HD 1500 compactor is rated for 20 to 60 tons excavators and delivers unmatched compaction results, along with optimal operator comfort. Optionally, UAM-Controller is available for the HD 1500. This control device avoids damage to pipes and nearby buildings and assists to adjust the frequency to the requirements of various types of grounds.



### Characteristics

Excavator service weight (metric tons)	20 - 60
Weight (in kg) including coupler (mm)	1.470
Overall height, including coupler (mm)	1.341
Plate dimensions (mm)	900 x 1.460
Frequency range (Hz)	28 - 60
Recommended min. amount of oil (lpm)	210
Maximum pressure (bar)	210
Dynamic power of impact (in kg)	5.000 - 21.000
Hydraulic slewing drive retention force (Nm)	12.900
A (mm)	940
B (mm)	900
C (mm)	1.460

HD1500 optionally is available without the standard slewing drive – for example if the excavator is equipped with a rotator or has only one hydraulic circuit.

## Advantages

- Best-in-class compaction thanks to adjustable frequency and power of impact.
- Enormously deep penetration optimizes efficiency for all types of grounds.
- Considerably greater capacity use of the excavator. No cost intensive idle time or downtime.
- Reduces noise, vibrations and exhaust emissions.
- Minimizes the risk of accidents thanks to mechanical compaction right at the jobsite.
- Reduces damage to pipes and nearby structures, thanks to controlled compaction, particularly in areas prone.
- Quick return on investment thanks to efficient mechanical compaction and optimized machine capacity use.

The compactors from HD200 to HD2000 have a sizeable oil supply for cooling and lubrication of moving parts – and are thus optimized for demanding operating conditions and long operating times.

## Optional Accessories

The versatility of UAM proline compactors can be expanded even further in combination with the following accessories:



Illustration symbolic

**Extension Plate** for HD1500, Width 200 cm, Weight: 470kg

Specially designed for broad-surface and slope/embankment compaction.

### **UAM-Controller**

Our specially developed UAM-Controller helps avoid damage to pipes and nearby buildings. The controller continuously measures and logs the frequency of the ground being worked on and warns the operator if the machine is too close to or has reached the natural frequency of this ground – for example in the presence of damp or heavy soil, or if the compactor is overloaded.

- Permanent visual indicator in the direction of the carrier.
- Energy self-sufficient through solar power and powerful battery.
- Permanent logging of the working frequencies and the place of work by means of integrated GPS module, thus usable as proof in case of damage.
- Protocol and operating hours can be read directly via smartphone using the UAM app.

