

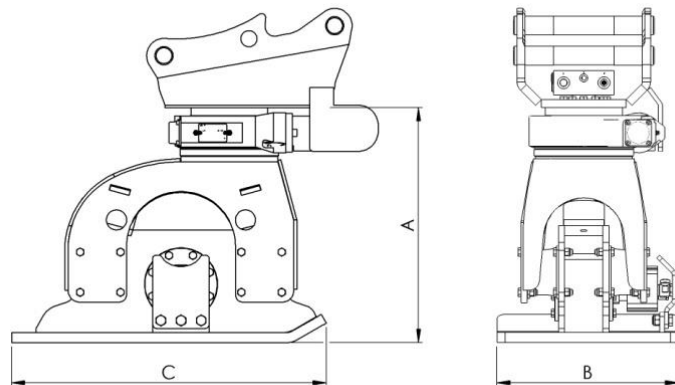
HD 300

Our newly developed compactor HD300 now brings the proven UAM quality in the class of 3 to 8 tons of carrier equipment.

With a weight of less than 300kg and a plate width of 45cm, the HD300 is perfect for all compaction work.

Whether with or without quick coupler, with or without slewing drive, excavator with or without drain line: The HD300 is like all UAM compactors freely configurable and has all "UAM genes": Optimum cooling and lubrication

due to a generous oil supply, high quality components and a robust overall design. The optional worm gear slewing drive is asymmetrically mounted and allows the compactor a wide variety of applications.



Characteristics

Excavator service weight (metric tons)	3 – 8
Weight (in kg) including coupler (mm)	280
Overall height, including coupler (mm)	820
Plate dimensions (mm)	450 x 780
Frequency range (Hz)	28 – 60
Recommended min. amount of oil (lpm)	40
Maximum pressure (bar)	210
Dynamic power of impact (in kg)	1.000 – 3.400
Hydraulic slewing drive retention force (Nm)	3.300
A (mm)	585
B (mm)	450
C (mm)	780

HD300 is available with or without hydraulic slewing drive with worm gear.

Advantages

- Best-in-class compaction thanks to adjustable frequency and power of impact.
- Enormously deep penetration optimizes efficiency for all types of grounds.
- Considerably greater capacity use of the excavator. No cost intensive idle time or downtime.
- Reduces noise, vibrations and exhaust emissions.
- Minimizes the risk of accidents thanks to mechanical compaction right at the jobsite.
- Reduces damage to pipes and nearby structures, thanks to controlled compaction, particularly in areas prone.
- Quick return on investment thanks to efficient mechanical compaction and optimized machine capacity use.

The compactors from HD200 to HD2000 have a sizeable oil supply for cooling and lubrication of moving parts – and are thus optimized for demanding operating conditions and long operating times.

Optional Accessories

The versatility of UAM proline compactors can be expanded even further in combination with the following accessories:



Illustration symbolic

Extension Plate for HD 300, Width 90 cm,
Weight: 140kg

Specially designed for broad-surface and slope/embankment compaction.

UAM-Controller

Our specially developed UAM-Controller helps avoid damage to pipes and nearby buildings. The controller continuously measures and logs the frequency of the ground being worked on and warns the operator if the machine is too close to or has reached the natural frequency of this ground – for example in the presence of damp or heavy soil, or if the compactor is overloaded.

- Permanent visual indicator in the direction of the carrier.
- Energy self-sufficient through solar power and powerful battery.
- Permanent logging of the working frequencies and the place of work by means of integrated GPS module, thus usable as proof in case of damage.
- Protocol and operating hours can be read directly via smartphone using the UAM app.

